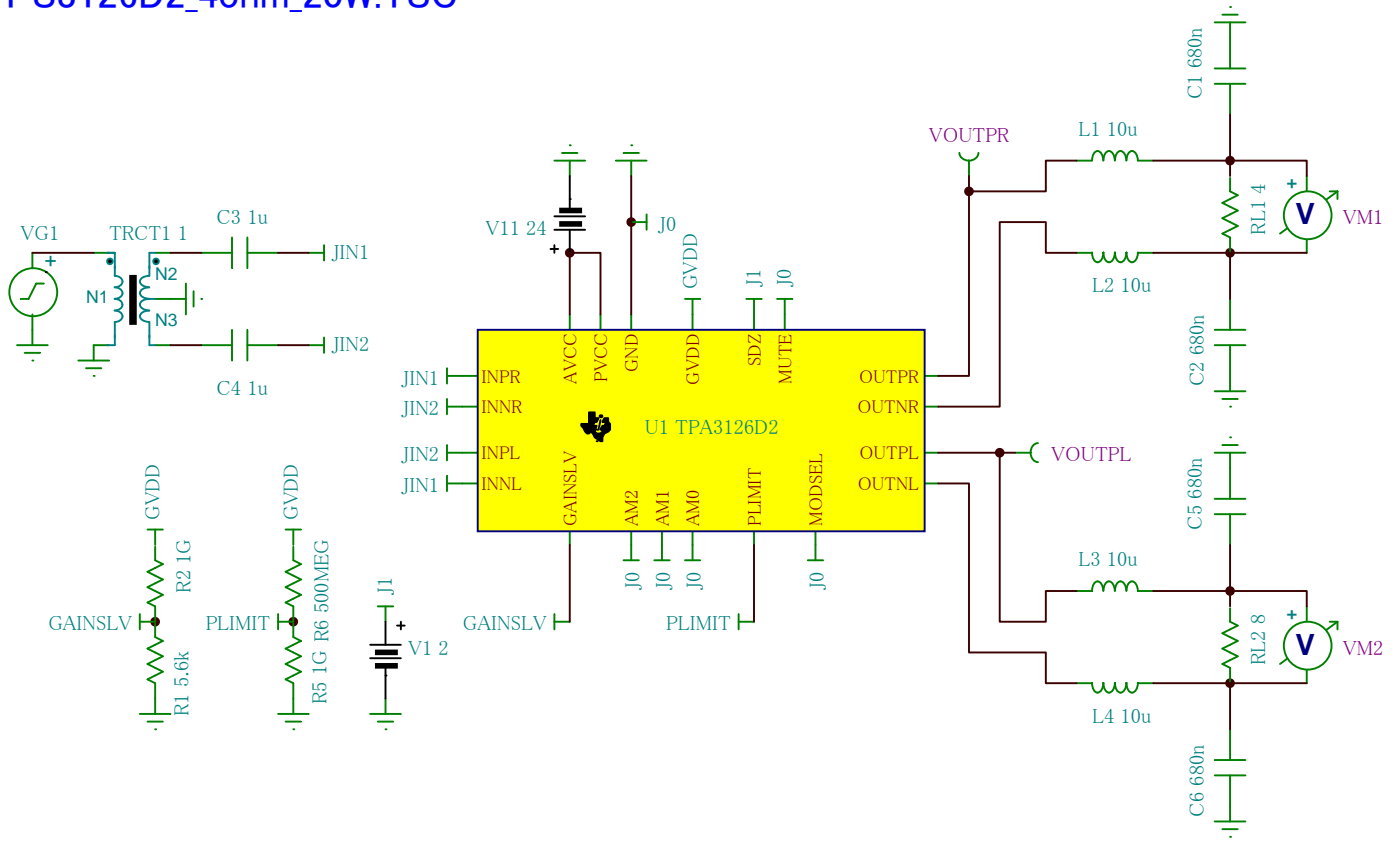


TPS3126D2_4ohm_20W.TSC



$$Rch \text{ output voltage} = \frac{12.64}{\sqrt{2}} = 8.94 \text{ [Vrms]}$$

$$Rch \text{ output power} = 8.94^2 / 4 = 20 \text{ [W]}$$

$$Lch \text{ output voltage} = \frac{14.49}{\sqrt{2}} = 10.24 \text{ [Vrms]}$$

$$Lch \text{ output power} = 10.24^2 / 8 = 13.11 \text{ [W]}$$

