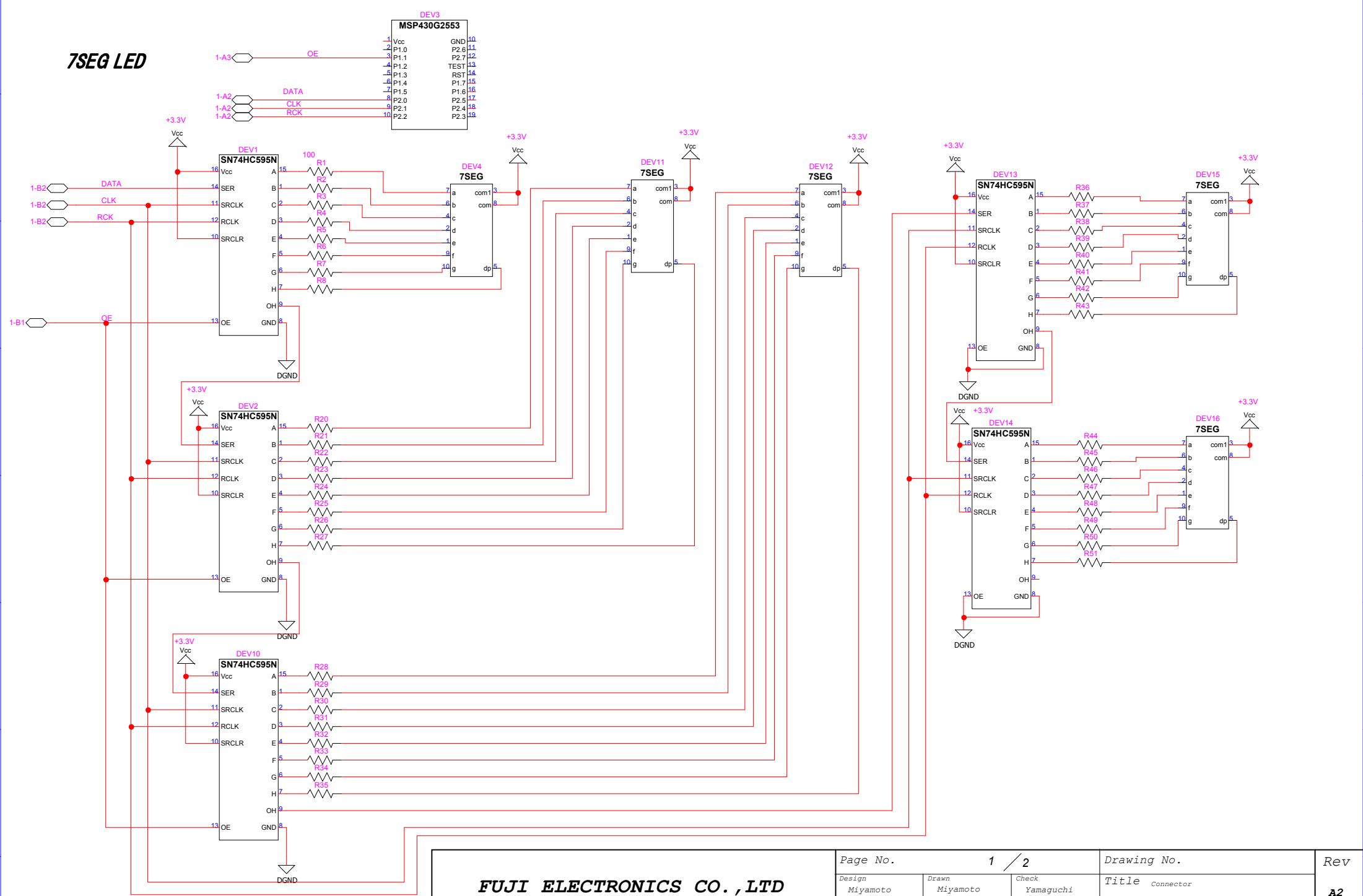
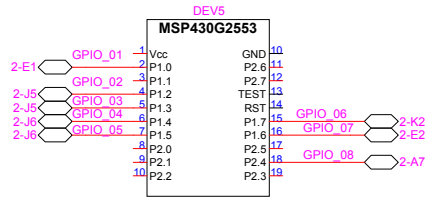


7SEG LED

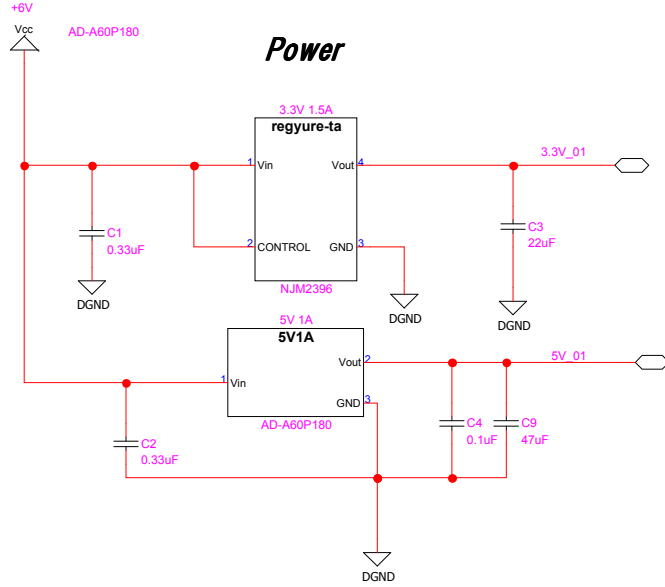


FUJI ELECTRONICS CO., LTD			Page No. 1 / 2		Drawing No.		Rev A2
			Design Miyamoto	Drawn Miyamoto	Check Yamaguchi	Title Connector	
			Date 2012/06/15	Recognition Kaw	Title		

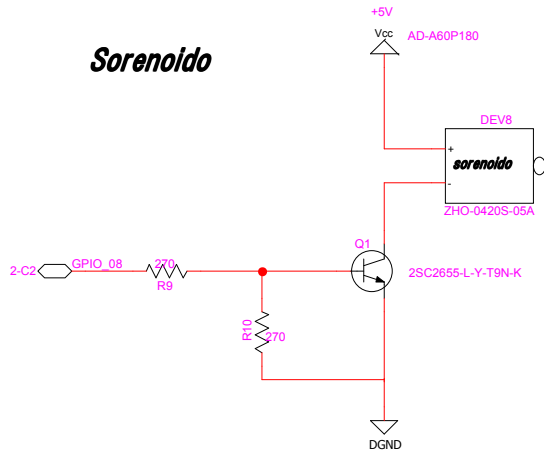
MSP430



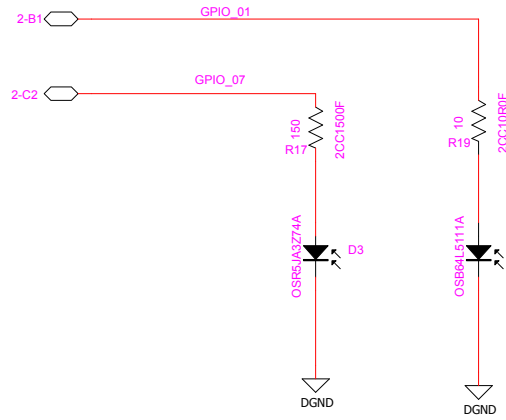
Power



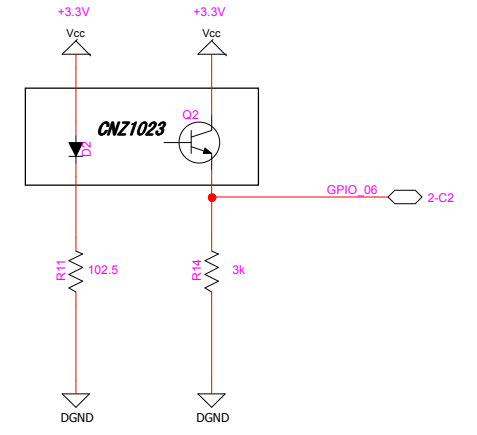
Sorenoido



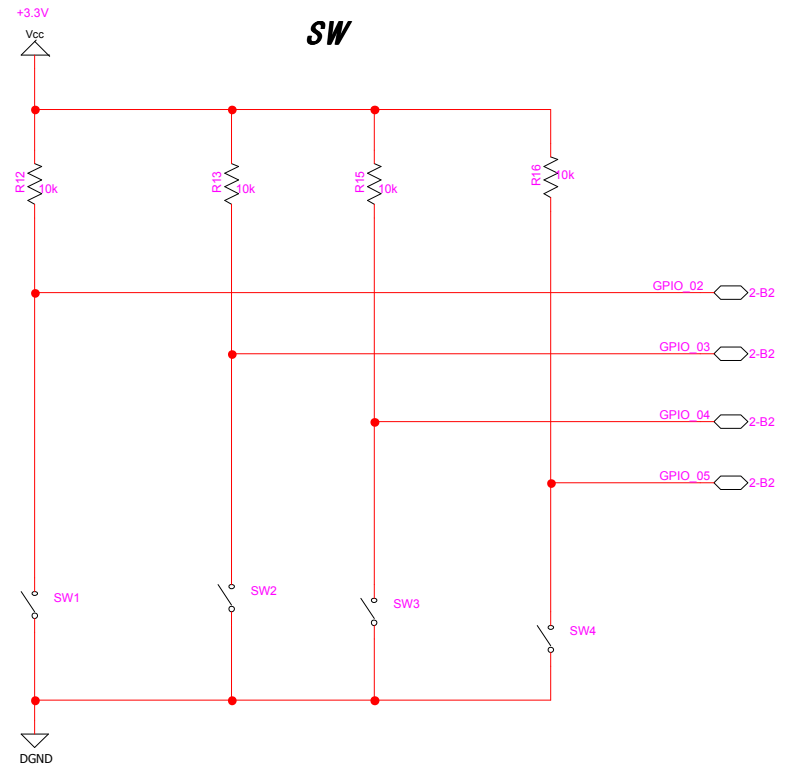
LED



Sensa



SW



FUJI ELECTRONICS CO., LTD			Page No.	Drawing No.	Rev
			Design		
			Date	Recognition	